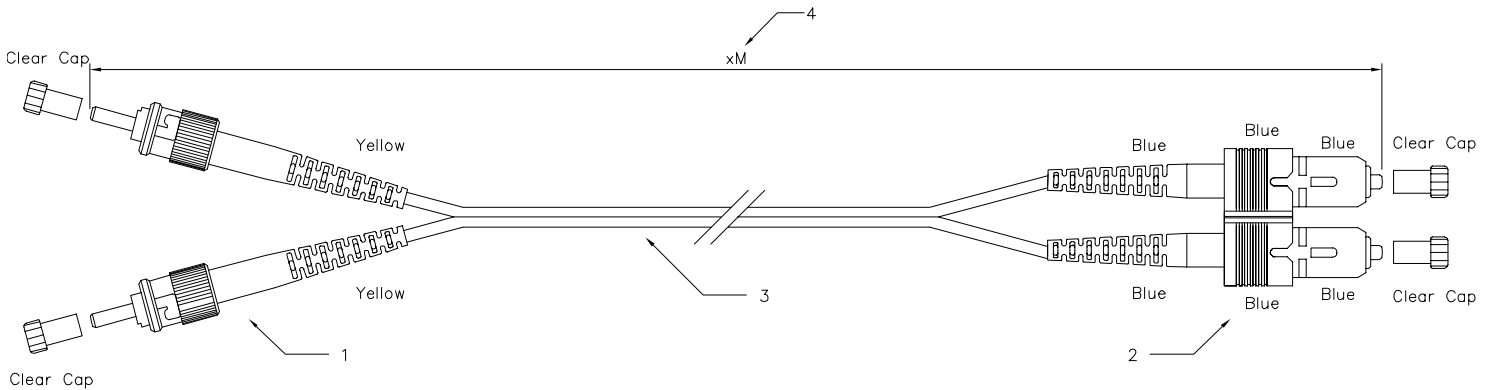


Singlemode ST(UPC)/SC(UPC) Duplex Patch Cable



Product Overview

Fiber optic patch cords or jumpers are ideal for short distance patching applications. Fiber optic cable is made using exclusively Corning Optical Glass, within UL certified OFNR (Riser) rated jacket with Kevlar yarn. All fiber optic patch cables carry a Lifetime Warranty*

Performance Specifications

Insertion Loss (max.):	0.3dB
Return Loss (max.):	-50dB
Storage Temperature:	-40°C +80°C
Operation Temperature:	-20°C +70°C
Mating Durability:	<0.2dB
Attenuation dB/km max.:	1.0

Fiber Specifications

Wavelength:	1310/1550nm
Core Diameter:	9um
Cladding Diameter:	125um
Glass Buffer Size:	900um
Inner Strength Material:	Kevlar

Jacket Specifications

Jacket Size:	2mm
Jacket Style:	Duplex Zipcord
Jacket Color:	Yellow
Fire Rating:	OFNR (Riser)

Connector Specifications

Connector Type (1):	ST (UPC Polish)
Connector Style(1)::	Twist Lock
Ferrule Type (1):	Ceramic
Connector Type (2):	SC (UPC Polish)
Connector Style (2):	Duplex w/ Clip
Ferrule Type (2):	Ceramic

Ordering Specifications

Part Number	Length (m)
STSC-SMD-01	1
STSC-SMD-03	3
STSC-SMD-05	5
STSC-SMD-10	10
STSC-SMD-XX	XX=Variable (Meters)
STSC-SMD-XXF	XX=Variable (Feet)

Lifetime Warranty: Limited to the replacement of the cable for manufacturers defect or performance defect. CP technologies will not be liable for any additional costs incurred for replacement of defective cable.