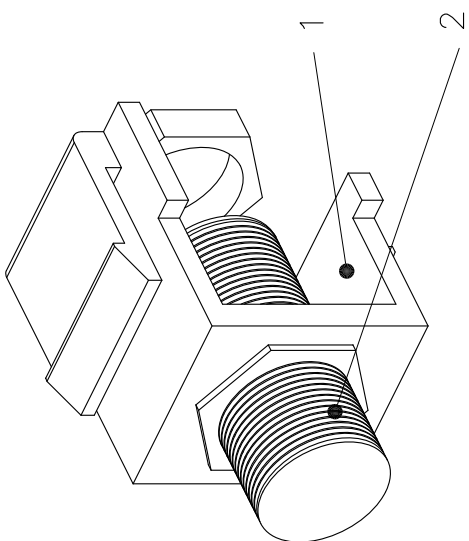
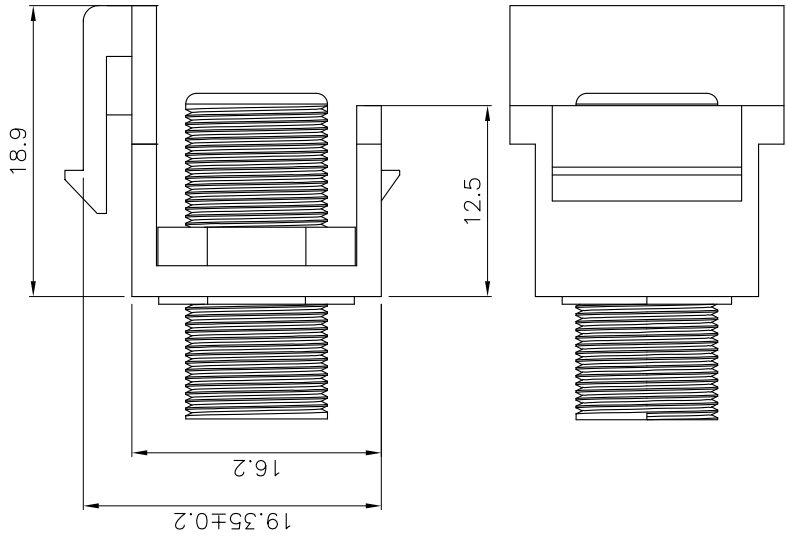
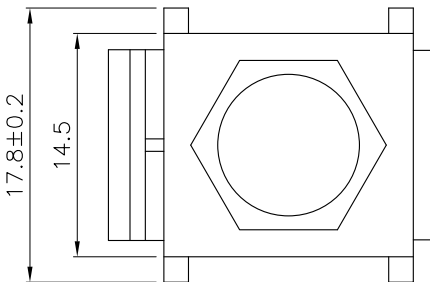


1 2 3 4 5 6



SCALE 2/1



A B C

D

GENERAL TOLERANCE OF DIMENSIONS
 X.XXX ±0.005
 X.XX ±0.05
 X.X ±0.1

DRAWING	20.JAN.2011	WENUJUN
CHECK	20.JAN.2011	JANE
APPROVAL	20.JAN.2011	JAIMY
SCALE	2/1 (A4)	UNIT mm
	DATE	NAME



ITEM NO.: CL-216B-F-EW

DES.: "F" FEED THRU MOUDLE INSERT

DRAWING NO.

DRAWING CLASSIFICATION S SHEET 1 OF 1



Specification :

- Material : ABS, UL 94V-0, with optional color.
 1. Plastic : ABS, UL 94V-0, with optional color.
 2. F Connector : Zinc Die-Casting with Nickle plated.

1 2 3 4 5 6 10cm