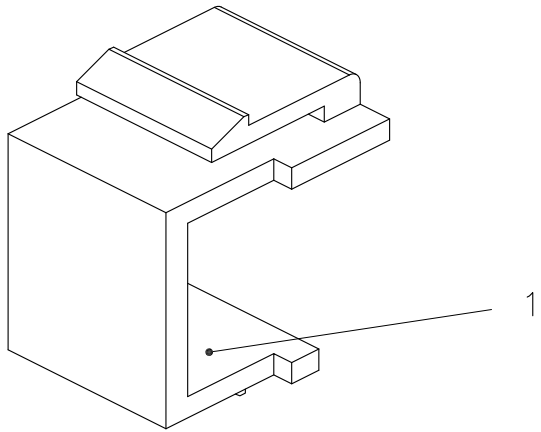


1 2 3 4 5 6

A

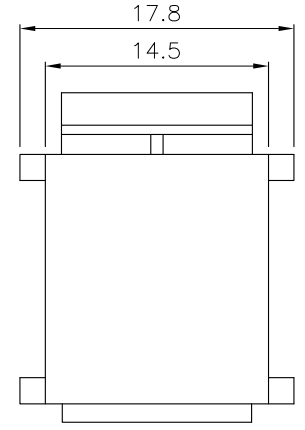
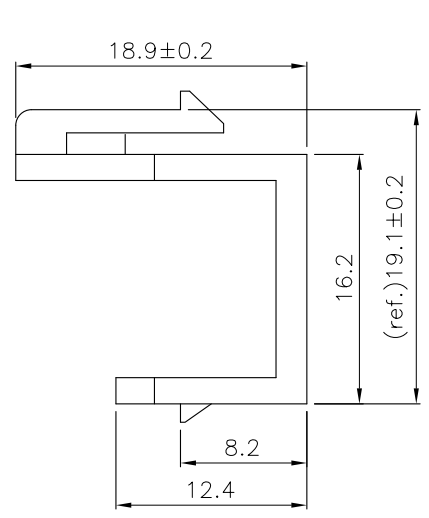
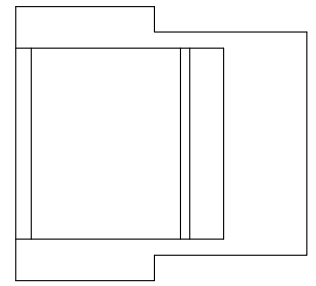
A



SCALE 2/1

B

B



C


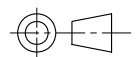
C

Specification :

Material :
1. ABS, UL94V-0.

D

D

GENERAL TOLERANCE OF DIMENSIONS X.XXX ±0.005 X.XX ±0.05 X.X ±0.1	DRAWING	08.JUN.2010	QIQI		
	CHECK	08.JUN.2010	JANE		
	APPROVAL	08.JUN.2010	JAIMY		
		DATE	NAME	ITEM NO.: CL-216B-CO-EW	
	SCALE	2/1 (A4)	UNIT	mm	DES.: BLANK INSERT
			DRAWING NO.		
	DRAWING CLASSIFICATION		S	SHEET	1 OF 1

1 2 3 4 5 6 10cm

