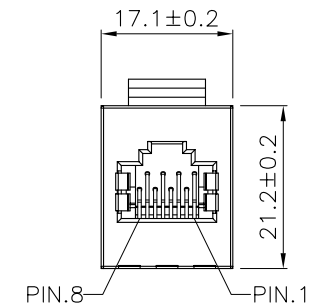
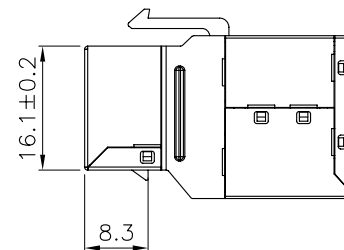
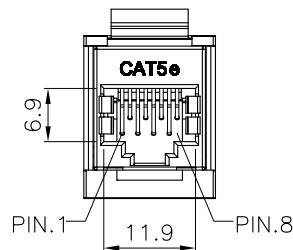


SCALE 1/1




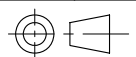

Specification :

Material :

1. RJ45 Jack Housing : ABS+PC, UL 94V-0, Black color.
2. RJ45 Jack Bracket Set : PC, UL 94V-2, Transparent color.
3. RJ45 Jack Shield : Bronze, Nickel plated.
4. RJ45 Jack Contact :
 - 4-1. Material : Phosphor Bronze with Nickel plated.
 - 4-2. Finish : 50 micro-inch Gold plated on Plug contact area.
5. PCB : FR4, UL 94V-0.

Performance :

- a. Insertion force : 30N max. (IEC 60603-7-5).
- b. Retention strength : 7.7 kg between Jack and Plug.
- c. Operating temperature : -10°C to 60°C. (ISO/IEC 11801, ANSI/TIA/EIA 568 B.2)
- d. Life(mating cycles) : 750 cycles min. (ISO/IEC 11801, IEC 60603-7-5).
- e. The Cat.5e transmission performance is in compliance with the ANSI/TIA/EIA 568 B.2 standard.

GENERAL TOLERANCE OF DIMENSIONS ±0.1	DRAWING	21.MAY.2010	QIQI	
	CHECK	21.MAY.2010	JANE	
	APPROVAL	21.MAY.2010	JAIMY	
	DATE		NAME	
SCALE	1/1 (A4)	UNIT	mm	DES.: CAT.5E FULL SHIELDED KEYSTONE JACK
		DRAWING NO. AAEB0001131215 KJ9AS-CE(SA2)		
DRAWING CLASSIFICATION		S	SHEET 1 OF 1	