

# HDMI 2.0 4K ALL FIBER DONGLES

## Clearlinks Hybrid Active Optical Cables



All-Fiber AOC cabling technology uses 6 optical fibers to join the electrical connectors on each end of the cable. The result is improved speed and bandwidth transmission distances with a thinner cable that is flexible and lightweight. The All-Fiber HDMI 2.0 dongles are designed for behind the wall installation using industry standard MPO cables for an easy installation experience.

### FEATURES

- HDMI 2.0 4K @60Hz 4:4:4 and full bandwidth of 18Gbps
- Supports cable lengths up to 300m (1000 ft.)
- Uses 6 fiber MPO cables to interconnect the dongles (not included)
- Supports CEC, HDCP v2.2, HDR, DDC and HPD
- External 5V power supply required
- EMI (electromagnetic interference) protection
- Field-upgradable (replace dongles separately)
- Made in Thailand or Vietnam



Includes TX and RX



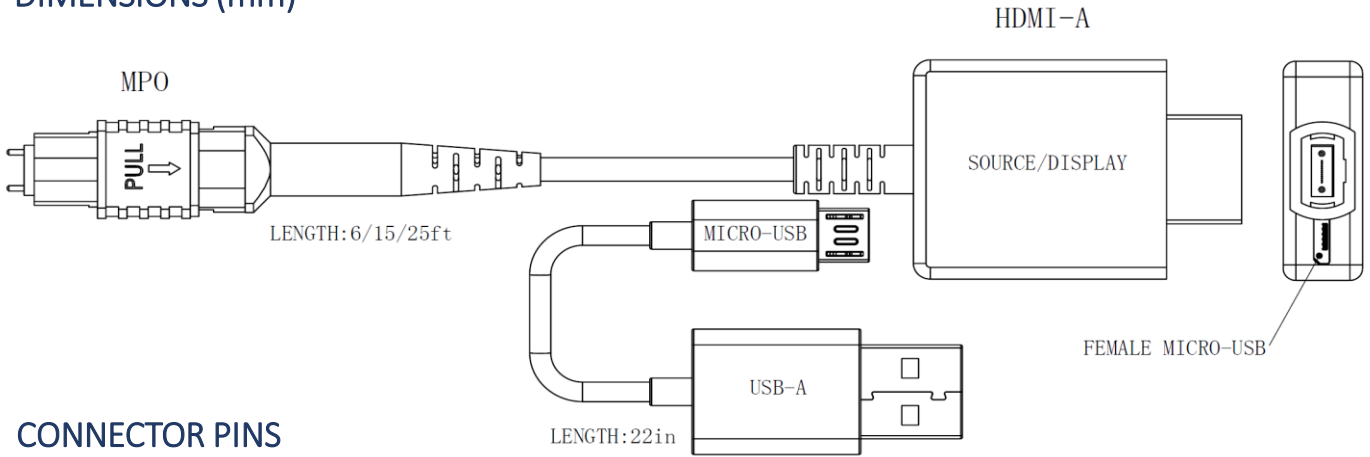
### SPECIFICATIONS

Connectors		Mechanical	
Type(s)	HDMI-A / MPO (with pins)	Power Consumption	< 1W (both ends)
Contacts	Gold plated, long-life design (HDMI)	Operating Temp	0 to 50C
Cable (Dongles)		Safety	
Outside Diameter	4.5 mm (6 inch length)	Device	CE, FCC
Jacket Material	PVC, CMR / CMP, CPR Eca	EMI / EMC	CISPR 32

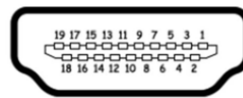
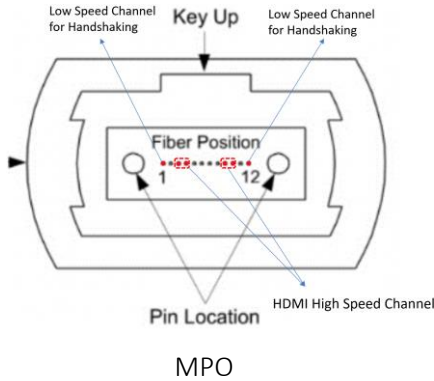
# HDMI 2.0 4K ALL FIBER DONGLES

## Clearlinks Hybrid Active Optical Cables

### DIMENSIONS (mm)



### CONNECTOR PINS



HDMI

Pin#	Signal	Pin#	Signal
1	TMDS data 2+	11	TMDS clock shield
2	TMDS data 2 shield	12	TMDS clock-
3	TMDS data 2-	13	CEC
4	TMDS data 1+	14	No connection
5	TMDS data 1 shield	15	DDC clock
6	TMDS data 1-	16	DDC data
7	TMDS data 0+	17	Ground
8	TMDS data 0 shield	18	+5V power
9	TMDS data 0-	19	Hot plug detect
10	TMDS clock+		

# HDMI 2.0 4K ALL FIBER DONGLES

## Clearlinks Hybrid Active Optical Cables

### HANDLING AND CARE

When removing the connector from a socket, do not pull on the cable itself. Pull the connector by its housing from the socket.

Do not remove the connector housing or cut into the cable.

Discard cables with mechanically damaged housings or jackets properly.

### EYE SAFETY

Optical energy is contained within cable and the end-housings: there are no optical emissions exposed to the user.

**CAUTION:** Do not cut optical cable. Viewing the cut fiber ends, especially with certain optical instruments (for example, eye loupes, magnifiers, and microscopes) may pose an eye hazard.

This product is classified as a Class 1 Laser product in accordance with IEC 60825-1:1993+A1+A2 and complies with 21CFR 1040.10 and 1040.11 except for deviations pursuant to laser notice NO. 50, dated 24-Jun-2007. Use or modification of this device other than those specified herein may result in hazardous radiation. To meet laser safety requirements the cable shall be used within environmental specifications. Tampering with or modifying the device will result in voiding of the product warranty.

INVISIBLE LASER RADIATION

CLASS 1 LASER PRODUCT

840-860nm, 700uW

### LASER EMISSION DATA

Wavelength	850 nm
Accessible Emission Limit (as defined by IEC: 7 mm aperture at 70 mm distance)	0
Beam Divergence (full angle)	N/A

### PART NUMBERS

Description	Part Number
HDMI 2.0 18G 4K, All-Fiber Dongles Set ( 1 TX & 1 RX)	HD2.0-DNGL-TXRX-P-CE

Clearlinks AOC products carry a 1-year warranty